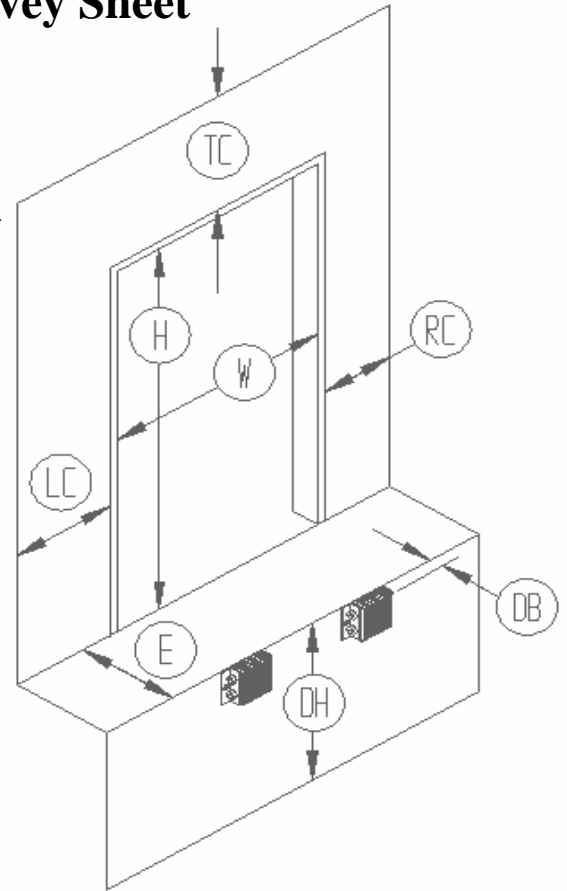


Dock Seal & Dock Shelter Survey Sheet

Distributor Name _____
 Distributor Contact Name _____
 Distributor Phone Number _____
 Distributor Fax Number _____
 Job Name _____



General Information

(W) Width of Opening _____ (inches)
 (H) Height of Opening _____ (inches)
 (LC) Left Clearance _____ (inches)
 (RC) Right Clearance _____ (inches)
 (TC) Top Clearance _____ (inches)
 (E) Extension from Building _____ (inches)
 (DB) Dock Bumper Projection _____ (inches)
 (DH) Dock Height _____ (inches)

*Is this door next to another door that requires a Dock Seal/Shelter? (Yes) (No)

*Will / does this door have a face mounted Edge -O-Dock? (Yes) (No)

Special Size Trailers

Highest Trailer _____ (inches)
 Lowest Trailer _____ (inches)
 Widest Trailer _____ (inches)
 Narrowest Trailer _____ (inches)

Buildings with Sloped Dock Approach

(A) Distance between trailer and building at point A _____ (inches)

(B) Distance between trailer and building at point B _____ (inches)

